

BROCTON 68" CAST IRON ROLL TOP TUB

Cat. No.
CTRN67



L: 68"
W: 30-1/8"
H: 24-3/4" (from floor to top of tub)
19-1/4" (from bottom of tub to top of tub)

The following is recommended for CTRN67 tubs without faucet holes:

- Faucets: part #4602, 4604 or 7082
- Rigid, freestanding supplies: part #4502
- Leg tub drain: part #5599

Gallon Capacity:	57
Shipping Weight:	502 lbs.
Empty Weight:	309 lbs.
Filled Weight:	785 lbs.

Features:

- ▶ Inside finish is white enamel
- ▶ Cast Iron Ball and claw feet available in 8 finishes or unfinished
- ▶ Tub exterior is white (epoxy)
- ▶ No faucet holes
- ▶ Pre-drilled overflow hole
- ▶ Non-skid strips
- ▶ Feet are attached and leveled before shipment
- ▶ Tub is thoroughly inspected before shipment

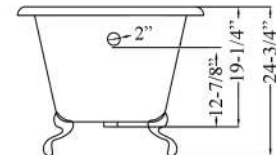
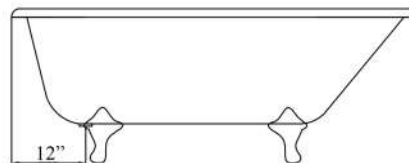
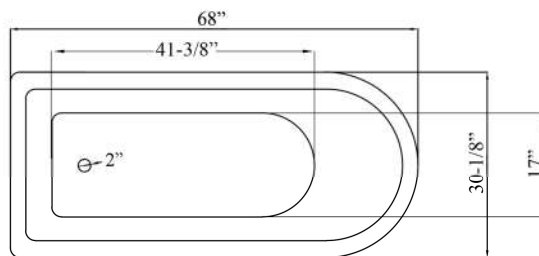
Foot Finishes:

UF Unfinished
BL Painted Black
BQ Painted Bisque
PB Polished Brass



CP Polished Chrome
WH Painted White
PN Polished Nickel
SN Brushed Nickel
ORB Oil Rubbed Bronze

Custom Colors Available (inside of tub is always white enamel):
Painted bathtubs are considered "special order" and are not returnable
\$160 Bisque or Black \$250 Designer Color



TUB WALL MOUNT FILLER WITH HANDSHOWER

Cat. No.
4602



Adjustable Swivel Mounts

Features:

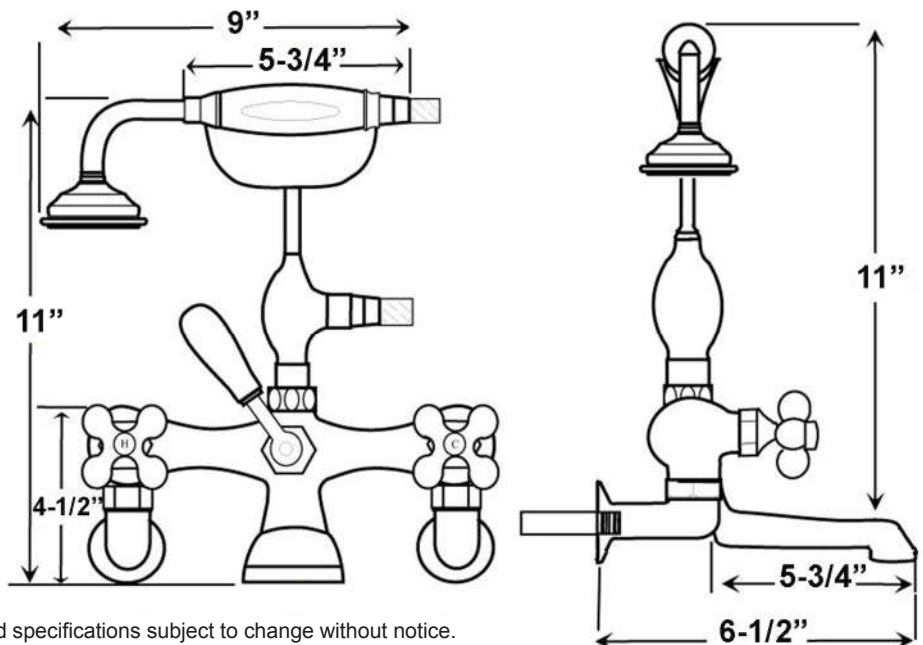
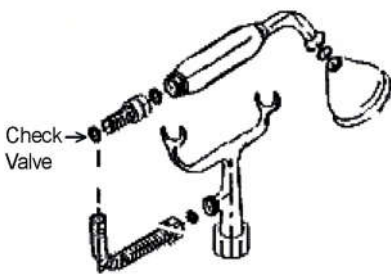
- ▶ Brass construction
- ▶ Elephant spout length is 5-³/₄"
- ▶ Flow rate is 3.7 GPM
- ▶ Available with porcelain lever (**4602-PL**) or metal cross handles (**4602-MC**)
- ▶ Telephone handshower with cradle and hose
- ▶ Handshower flow rate 2.5 GPM
- ▶ Handshower includes backflow preventer
- ▶ Swivel mounts adjust centers from 3" to 12"
- ▶ Faucet centers are 7" without swivel mounts
- ▶ For tub wall mount installation
- ▶ ¼ turn ceramic disc cartridges
- ▶ IAPMO approved
- ▶ To be used with double offset bath supplies, **Part #5576**
- ▶ This faucet can also be used with rigid freestanding supplies, **Part #4502** with adjustable swivel mounts removed



Finishes:

BP Polished Brass
CP Polished Chrome
ORB Oil Rubbed Bronze

SN Brushed Nickel
PN Polished Nickel



Dimensions are nominal and may vary. Dimensions and specifications subject to change without notice.

FREESTANDING BATH SUPPLIES

Cat. No.
4502-PL



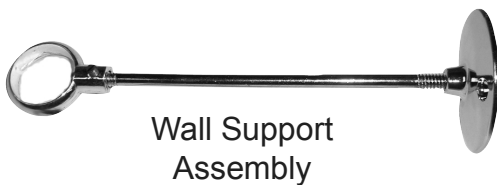
Features:

- ▶ 5" Shaft included
 - ▶ Stops included
 - ▶ 1/2" Pipe thread inlet
 - ▶ 3/4" Flare outlet
 - ▶ Wall support assemblies included
 - ▶ Porcelain lever handles
 - ▶ IAPMO approved
 - ▶ Available in 5 finishes
 - ▶ Should not be used with leg tubs that have factory drilled holes.
- ▶ 0.800" Outer diameter
 - ▶ 0.595" Inner diameter
 - ▶ 0.090" Thickness of wall

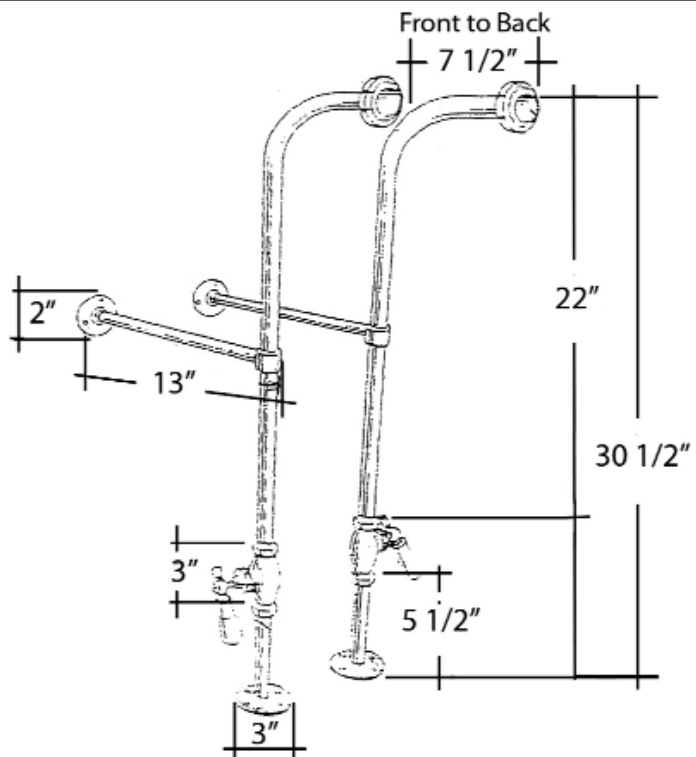
Finishes:

- CP Polished Chrome
- PN Polished Nickel
- BP Polished Brass
- ORB Oil Rubbed Bronze
- SN Brushed Nickel

H: 30" (30-1/2" with nut)



Wall Support
Assembly



Use on concrete floors requires special installation. We recommend using a plumbing professional.

Dimensions are nominal and may vary. Dimensions and specifications subject to change without notice.

LEG TUB DRAIN

Cat. No.
5599



Escutcheon Height: 1-1/4"

Features:

- ▶ Twist-and-lift stopper
- ▶ Includes deep escutcheon
- ▶ Height adjustable 15"-18"
- ▶ Depth adjustable 12"-14"
- ▶ Includes deep escutcheon
- ▶ IAPMO approved
- ▶ Available in 5 Finishes

Finishes:

- CP** Polished Chrome
- BP** Polished Brass
- SN** Brushed Nickel
- PN** Polished Nickel
- ORB** Oil Rubbed Bronze

#5599 Leg Tub Drain



Dimensions and specifications subject to change without notice.

RECTANGULAR SHOWER ROD

Cat. No.
4150



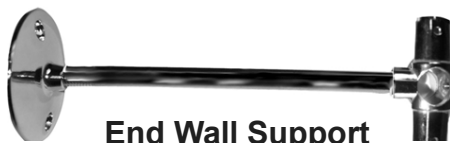
Features:

- ▶ 3/4" Solid Brass Tubing
- ▶ Includes 30" Ceiling Support Assembly
- ▶ Includes 10" End Wall Support Assembly
- ▶ 5/8" OD Supports are Adjustable by Cutting
- ▶ Finish varies by size
- ▶ Available In 2 Sizes: 48" (#4150-48), and 54" (#4150-54)
- ▶ All Rods Come As Four Pieces

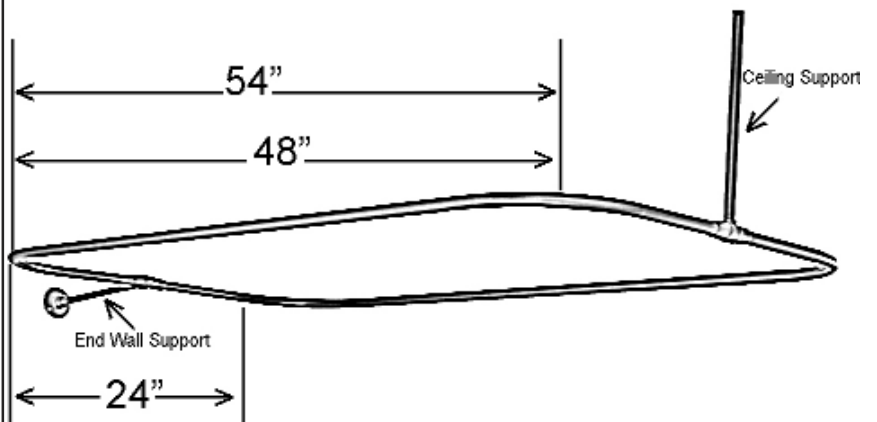
Size	Finish
48" L X 24"D	PB, CP, SN, PN or ORB
54" L X 24"D	PB, CP or SN

Finishes:

- CP** Polished Chrome
- SN** Brushed Nickel
- PB** Polished Brass
- ORB** Oil Rubbed Bronze
- PN** Polished Nickel



**End Wall Support
Assembly**



Dimensions are nominal and may vary. Dimensions and specifications subject to change without notice.